



SUZUKI
by cfao

JIMNY



Test drive



Loan simulator



Contact us



SCAN
to download our app.



Exterior Colours



Sld. Kinetic Yellow (ZZB)
Roof: Prl. Bluish Black 3 (ZJ3)



Superior White (26U)



Met. Silky Silver (Z2S)



Sld. Medium Gray (ZVL)



Prl. Bluish Black 3 (ZJ3)



Met. Chiffon Ivory (ZVG)
Roof: Prl. Bluish Black 3 (ZJ3)



Met. Brisk Blue (ZWY)
Roof: Prl. Bluish Black 3 (ZJ3)



Sld. Jungle Green (Z2C)

Interior Design



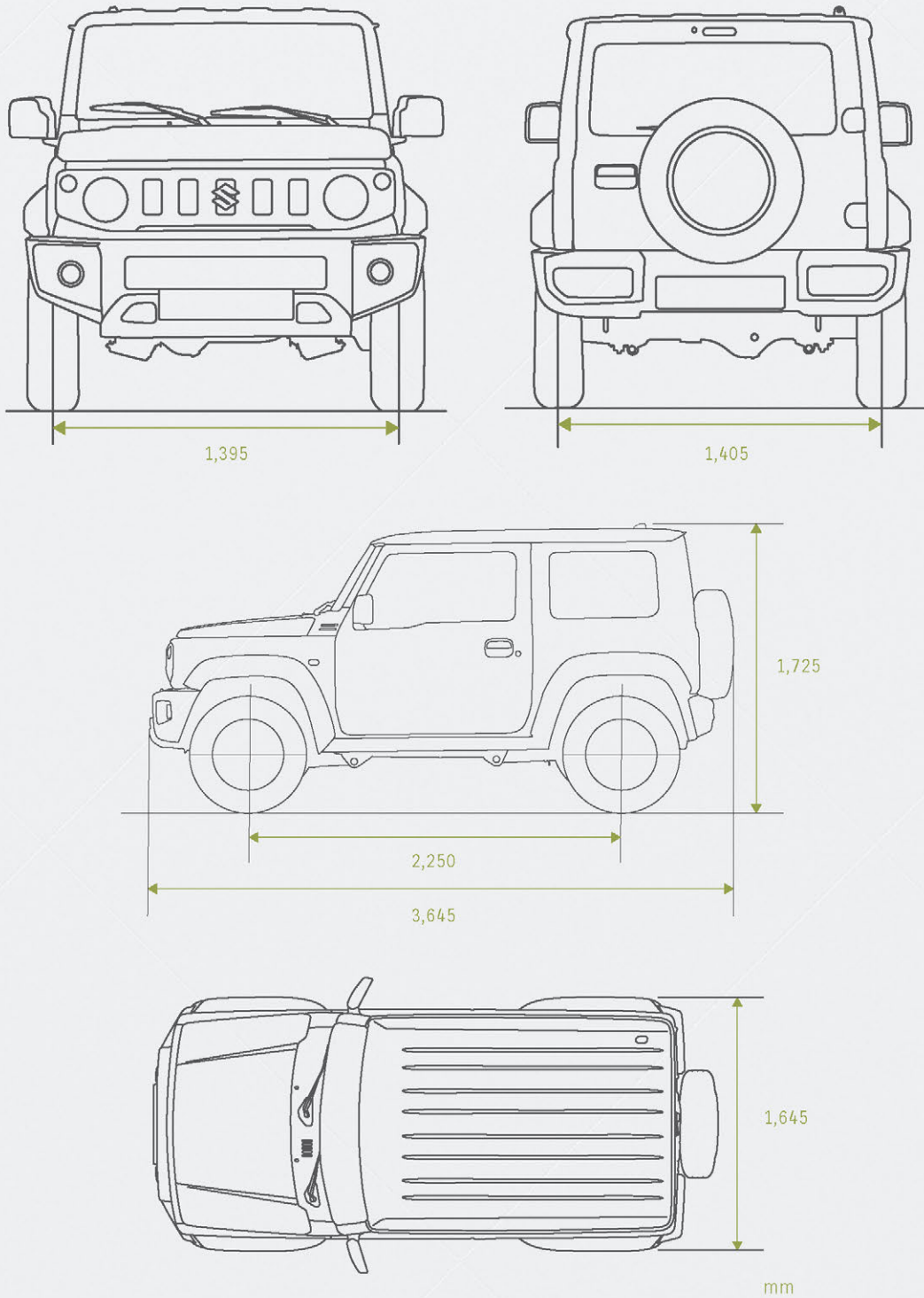
Major Specifications

Engine	Petrol		
	1.5L VVT		
Drive system	ALLGRIP PRO / Part-time 4WD		
Transmission	5MT	4AT	
Number of doors	3-door		
DIMENSIONS			
Overall length	Front bumper to rear bumper	mm	3,480
	Front bumper to spare wheel cover	mm	3,645
Overall width		mm	1,645
Overall height		mm	1,725
Wheelbase		mm	2,250
Tread	Front	mm	1,395
	Rear	mm	1,405
Minimum turning radius		m	4.9
Minimum ground clearance		mm	210
Approach angle		deg.	37
Ramp breakover angle		deg.	28
Departure angle		deg.	49
CAPACITIES			
Seating capacity		persons	4
Luggage capacity	Max. volume	litres	830
	Rear seatback folded (VDA method)	litres	377*
	Rear seatback raised (VDA method)	litres	85*
Fuel tank capacity		litres	40
ENGINE			
Type	K15B		
Number of cylinders	4		
Number of valves	16		
Piston displacement		cm ³	1,462
Bore x stroke		mm	74.0 x 85.0
Compression ratio	10		
Maximum output		kW/rpm	75/6,000
Maximum torque		Nm/rpm	130/4,000
Fuel distribution	Multipoint injection		
TRANSMISSION			
Gear ratio	1 st	4.425	2.875
	2 nd	2.304	1.568
	3 rd	1.674	1.000
	4 th	1.190	0.697
	5 th	1.000	-
	Reverse	5.151	2.300
Final gear ratio		4.090	4.300
Transfer gear ratio	High	1.000	1.320
	Low	2.002	2.644
CHASSIS			
Steering	Recirculating ball		
Brakes	Front	Solid disc	
	Rear	Drum, leading and trailing	
Suspension	Front	3-link rigid axle with coil spring	
	Rear	3-link rigid axle with coil spring	
Tyres	195/80R15		

WEIGHTS			
Kerb weight (min/with full options)	kg	1,090/1,135	1,110/1,135
Gross vehicle weight	kg	1,435	
PERFORMANCE			
Maximum speed	km/h	145	140
ENVIRONMENTAL PERFORMANCE			
Carbon dioxide emission (CO2)	g/km	146	158

These specifications are tentative and subject to change without prior notice.
 Specifications may vary for individual markets.

* Measured without luggage box.
 AT: Automatic Transmission MT: Manual Transmission



Major Equipment _____

Grade		GLX
CHASSIS		
Tyres and wheels	195/80R15 + steel wheels	-
	195/80R15 + alloy wheels	S
Spare tyre and wheel	195/80R15 + steel wheel	-
	195/80R15 + alloy wheel	S
EXTERIOR		
Front grille	Vertical design + material colour	S
Wheel arch extensions	Material colour	S
Drip rails		S
Outside door handles	Body colour	S
Tailgate opener	Key-operated	-
	Handle-operated	S
VISIBILITY		
Headlamps	Halogen multi-reflector	-
	LED	S
Fog lamps	Front	S
Green-tinted windows	Front door windows	S
	Rear door & tailgate windows	S
UV-cut glass	Windscreen	S
Wipers	Front: 2-speed (low, high) + intermittent + washer	S
	Rear: 1-speed + washer	S
Rear window demister		S
Outside door mirrors	Black (painted)	S
	Electrically adjustable	S
Day/night rearview mirror	Manual dimming	S
STEERING AND INSTRUMENT PANEL		
3-spoke steering wheel	Urethane	-
	Leather covered	S
	With audio controls	S
	With hands-free phone control	S
	Tilt-adjust	S
Power steering		S
Tachometer		S
Light-off and key reminder	Alarm	S
Driver's seatbelt reminder	Lamp & alarm	S
Door ajar reminder	Lamp	S
Low fuel warning	Lamp	S
DRIVING AMENITIES		
Digital clock		S
Electric windows (front)	Driver's side (up/down auto)	S
	Passenger's side	S
Central door locking (including tailgate)	Switch (driver's side)	S
Remote-control door locks	With hazard lamp answerback function	S
Air conditioner	Manual	S
	Auto	S
Heater		S
Pollen filter		S

Audio	Antenna (mounted at rear of roof)	S
	Speaker x 2	S
	Audioless (2DIN garnish w/o box)	-
	MP3/WMA compatible CD player + Bluetooth® + SLDA	S
INTERIOR		
Cabin lights	Front cabin light (3-position)	S
Driver's sun visor		S
Passenger's sun visor		S
Assist grips	Passenger's side	S
	Rear x 2	S
Cup holder	Centre console	S
Shift knob	Urethane	S
	With chrome	S (MT)
	With piano black	S (AT)
Parking brake release button	Black	-
	Chrome	S
12V interior accessory socket	Centre console x 1	S
	Luggage room x 1	S
USB socket	Centre console x 1	S
Remote fuel lid opener		S
Inside door openers	Chrome	S
SEATS		
Front seats	Walk-in mechanism (passenger's side)	S
Rear seat	50:50-split single-folding	S
	Head restraints x 2	S
Seat upholstery material	Fabric	S
LUGGAGE AREA		
Luggage Box (for flat floor)		S
SAFETY AND SECURITY		
SRS front dual airbags		S
Seatbelts	Front: 3-point ELR seatbelts	S
	with pretensioners and force limiters	S
	Rear: 3-point ELR seatbelts x 2	S
ISOFIX child seat anchorages	Rear x 2	S
Pedal release system	Brake & clutch	S
Side impact door beams		S
ABS		S
ESP ^{***}		S
Hill hold control		S
Hill descent control		S
Brake assist function		S
Shift lock/key interlock (AT)		S (AT)
High-mount stop lamp		S
Immobiliser		S

S: Standard - : Not Available

**ESP is a registered trademark of Daimler AG.

SUZUKI MOTOR CORPORATION reserves the right to change, without notice, prices, colours, materials, equipment, specifications and models, and also to discontinue models. All photographs in this leaflet were taken with relevant permission. Images of the vehicles without number plates on public roads are composite photos.