



SUPER CARRY



Test drive



Loan simulator



Contact us



SCAN
to download our app.



Exterior Colours _____



Sld. Real Black (ZBC)

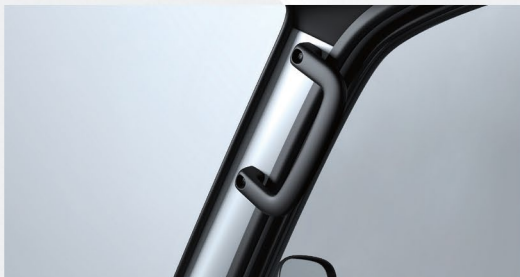


Silky Silver Metallic (Z2S)



Superior White (26U)

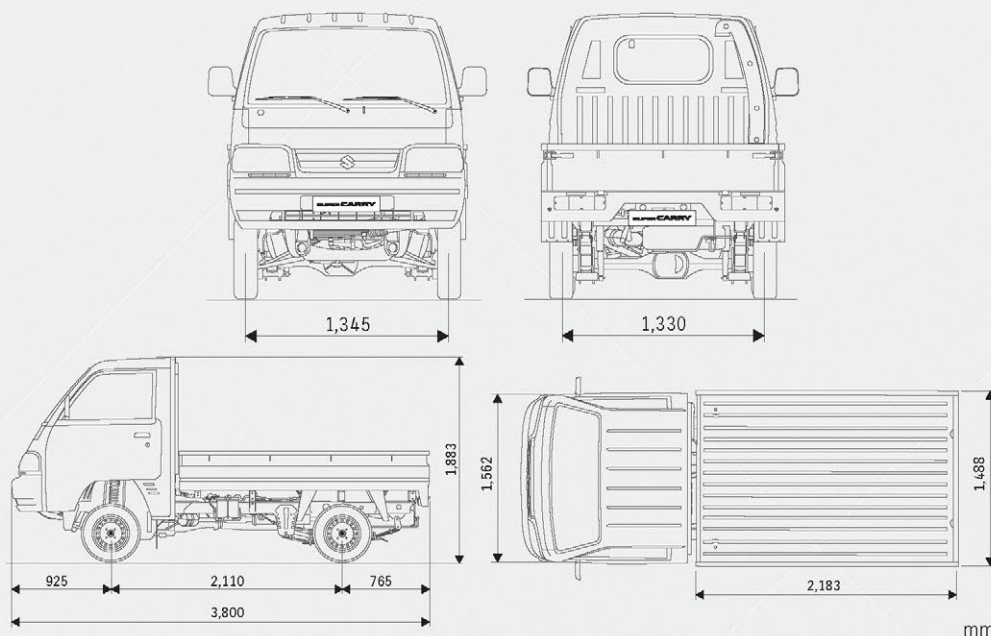
Interior Design _____



Major Specifications

Engine	Petrol		
	1.2L		
Body type	Truck		
Drive system	2WD		
Transmission	5MT		
Number of doors	2-door		
DIMENSIONS			
Overall length	mm	3,800	
Overall width	mm	1,562	
Overall height	mm	1,883	
Wheelbase	mm	2,110	
Front overhang	mm	925	
Rear overhang	mm	765	
Tread	Front	mm	1,345
	Rear	mm	1,330
Minimum turning radius	m	4.3	
Cargo bed length	mm	2,183	
Cargo bed width	mm	1,488	
Cargo bed height	mm	300	
Minimum ground clearance	mm	175	
CAPACITIES			
Seating capacity	persons	2	
Fuel tank capacity	litres	30	
ENGINE			
Type	G12B		
Number of cylinders	4		
Number of valves	16		
Piston displacement	cm ³	1,196	
Bore x stroke	mm	71x75.5	
Compression ratio	10.0		
Maximum output	kW/rpm	54/6,000	
Maximum torque	Nm/rpm	101/3,000	
Fuel distribution	Multipoint injection		
TRANSMISSION			
Gear ratio	1 st	4.425	
	2 nd	2.304	
	3 rd	1.674	
	4 th	1.264	
	5 th	1.000	
	Reverse	5.151	
Final gear ratio	3.727		
CHASSIS			
Brakes	Front	Ventilated disc (13-inch)	
	Rear	Drum, leading & trailing	
Suspension	Front	MacPherson strut with coil spring	
	Rear	Rigid axle with leaf spring	
Tyres	155R13+steel wheels with centre cap		
WEIGHTS			
Kerb weight	kg	860	
Maximum payload	kg	740	
Gross vehicle weight	kg	1,600	
ENVIRONMENTAL PERFORMANCE			
Carbon dioxide emission (CO2)	g/km	141	

These specifications are tentative and subject to change without prior notice. MT: Manual Transmission. Specifications may vary for individual markets.



Major Equipment _____

CHASSIS		
Tyres and wheels	155R13 + steel wheels with centre cap	S
Spare tyre and wheel	155R13 + steel wheel	S
EXTERIOR		
Tailgate opening function		S
Rope hooks	Tailgate x 3	S
	Side panels x 8 (one side x 4)	S
Mud flaps	Front	S
VISIBILITY		
Headlamps	Halogen multi-reflector	S
Headlamp levelling device	Manual	S
Wipers	Front: 2 speeds (low, high)	S
Outside door mirrors	Manually adjustable	S
STEERING AND INSTRUMENT PANEL		
3-spoke steering wheel		S
DRIVING AMENITIES		
Manual windows		S
Rear window with slide opening and closing function		S
INTERIOR		
Cabin lights	Front map light (2-position)	S
Sun visors	Both sides	S
Assist grips	Both sides	S
Bottle holder	x 1	S
Instrument panel upper tray	x 2	S
12V accessory socket		S
SEATS		
Seat slide function (6-position)	Driver's side	S
SAFETY, SECURITY, AND ENVIRONMENTAL COMPATIBILITY		
Seatbelts	Front: 3-point ELR seatbelts	S
Locking glove box		S
Locking fuel cap		S
Steering lock		S
Fuel restrictor		S

S: Standard

SUZUKI MOTOR CORPORATION reserves the right to change, without notice, prices, colours, materials, equipment, specifications and models, and also to discontinue models. All photographs in this leaflet were taken with relevant permission. Images of the vehicles without number plates on public roads are composite photos.